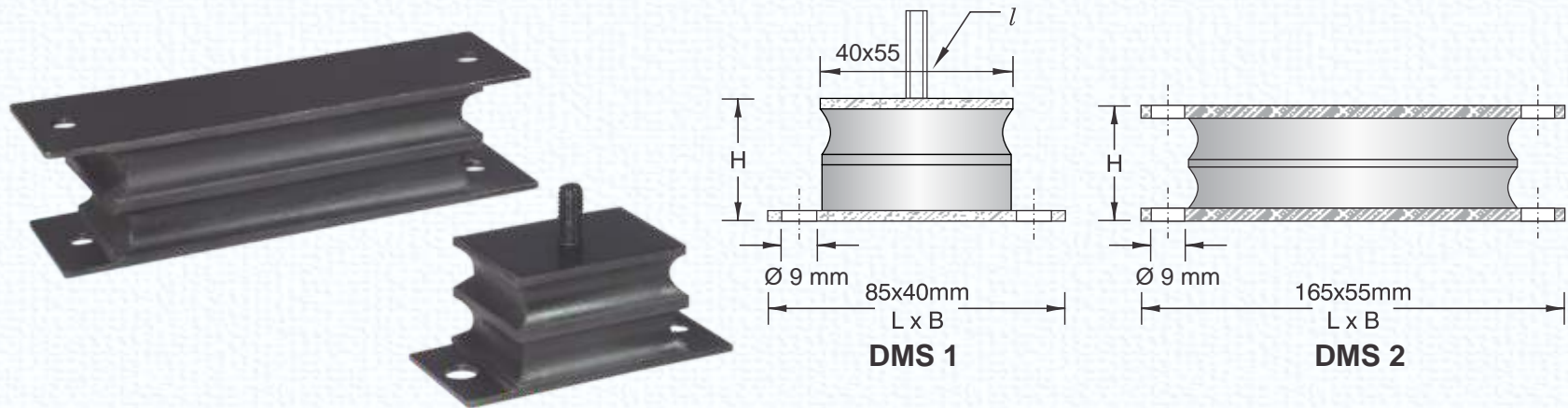


DYNEMECH SANDWICH MOUNTS, SERIES DMS



The Sandwich mounts comprise one or more layers of elastomer bonded to flat steel plates. They are designed to withstand very high compressive loads. They are very slim, large supporting surface area, stackable mounts. The suspended equipment is free to move in all directions. High ratio of axial stiffness to radial stiffness. Very high axial loads.

Model	MAX Load Kg.	LXB mm	H mm	l mm	Natural Frequency (Hz)	Bolt
DMS1-A	40	85X40	36	25	6	M8
DMS1-B	50	85X40	36	25	6	M8
DMS1-C	75	85X40	36	25	6.5	M8
DMS1-D	120	85X40	36	25	6.5	M8
DMS1-E	150	85X40	36	25	7.0	M8
DMS2-A	125	165X55	43	-	6.5	-
DMS2-B	250	165X55	43	-	6.5	-
DMS2-C	425	165X55	43	-	7.0	-
DMS2-D	550	165X55	43	-	7.0	-
DMS2-E	800	165X55	43	-	7.0	-