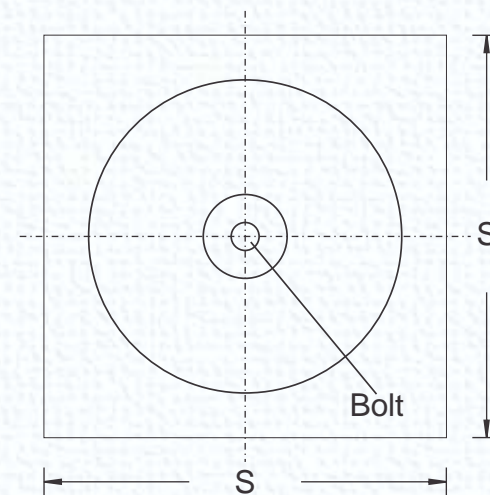
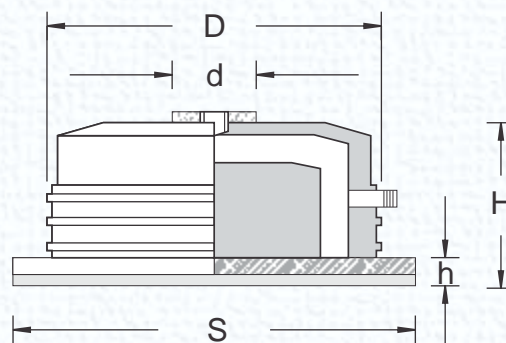
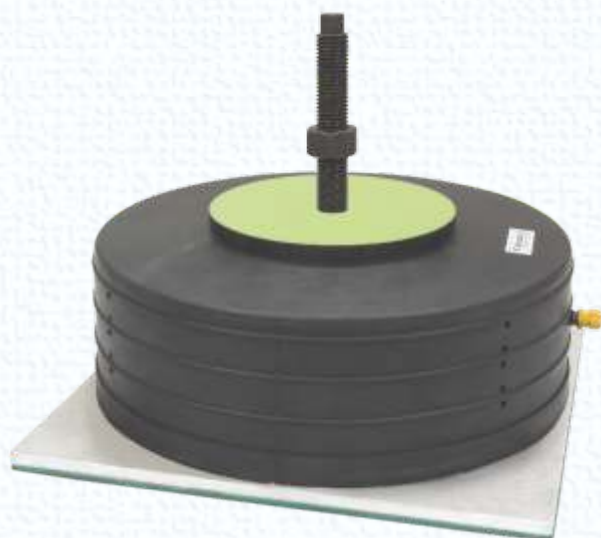


RUBBER AIR SPRINGS, Series DRAS



Dynemech Rubber Air Springs provide highly effective insulation of machines against low frequency vibration/impact.

The element offers a vertical natural frequencies between

2.5 to 6.0 Hz*. The component has vertical to horizontal stiffness ratio of approximately one. Suited for both active and passive vibration control.

Model	Load Kg/pc	Max. Pressure Bar	S mm	D mm	H App. mm	d mm	h mm	Bolt
DRAS1	25 - 60	3	88	84	64	41	6	M10
DRAS2	80 - 300	5	125	120	67	80	6	M12
DRAS3	270 - 800	6	182	174	85	100	6	M16
DRAS4	650 - 1500	6	252	250	105	127	8	M16
DRAS5	1200 - 3400	6	370	360	108	200	8	M20
DRAS6	3000 - 6500	6	500	480	110	315	8	M20

* depending upon the pressure required to support the load.

Applications : Active insulation of high speed Power Presses, Textile Machines, Vibration Test Rigs, Engine Test Beds, Blowers etc. and Passive Insulation of Measuring & Testing Machines/Equipments, High Precision Grinding/Polishing Machines, Surface Plates, Spectrometers etc.

Note : As we are constantly upgrading our products, specifications are subject to change without notice.