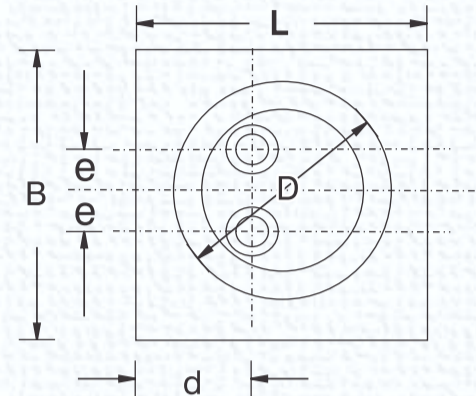
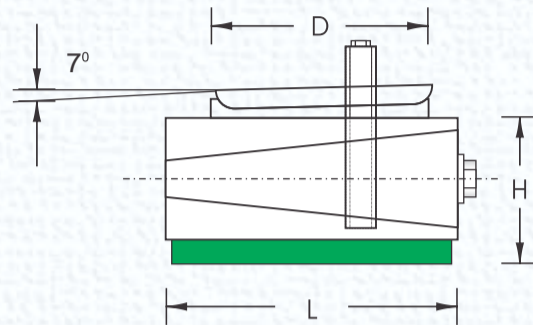


WEDGE MOUNTS, Series DTSP with spherical positioners



SPHERICAL POSITIONERS are designed to transmit the load of the machine to the ground through wedge mounts at 90 degree despite the angle difference between machine base and foundation. The pressure on the insulation plates remain even. Thus, better alignment is possible. Variations are available for free standing and bolt on machine bases either with or without insulation damping. Dynemech is open to the idea of developing **customer specific requirements**.

Model	Load Kg/pc	Length (L) mm	Width (B) (mm)	Height (H) at mean position (mm)	d (mm)	e (mm)	bore Ø	Adjst. range (mm)	D mm
DTSP1-i	1800	115	115	69	50	24	22	8	110
DTSP2-i	2900	150	150	74	60	23	22	10	150
DTSP3-i	5200	200	200	73	75	27	28	12	200
DTSP4-i	6500	200	250	95	95	27	28	18	200
DTSP5-i	10000	250	320	100	125	55	28	18	250
DTSP6-i	15000	300	400	100	148	50	30	20	300

Model	Load Kg/pc	Length (L) mm	Width (B) (mm)	Height (H) at mean position (mm)	d (mm)	e (mm)	bore Ø mm	Adjst. range (mm)	D mm
DTSP1-s2	950	115	115	69	50	24	22	8	110
DTSP2-s2	1600	150	150	74	60	23	22	10	150
DTSP3-s2	2800	200	200	73	75	27	28	12	200
DTSP4-s2	3500	200	250	95	95	27	28	18	200
DTSP5-s2	5500	250	320	100	125	55	28	18	250
DTSP6-s2	8500	300	400	100	148	50	30	20	300