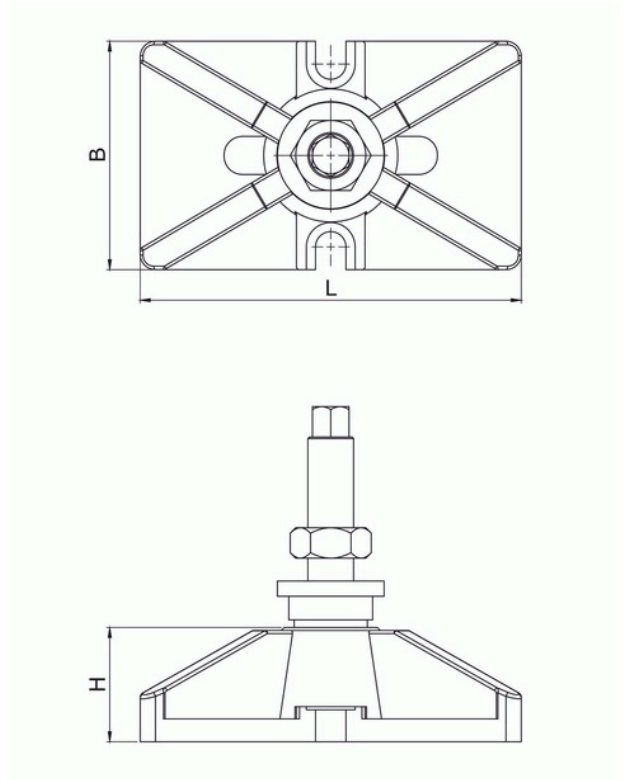


**D Y N E M E C H**  
**S C R E W   S U P P O T   L E V E L L I N G**  
**M O U N T S**  
**DFX2-2515**



S.no	Model	Load (Kg)	Height (MM)	Thread	Length (MM)	Width (MM)
1.	DFX2-2515	5800	75	M30	250	150